

## Mounting Instruction



### *Dear music-lover,*

please read this instruction attentively already before the mounting and for certain You will have much pleasure with our small miracle of physics.

Let us assume that You will need approximately 20 minutes for assembling the holoprofiles for the first time. A dismantling is possible any time and practice makes perfect. (please don't remove the felt out of the holoprofile, it works as a damping element)

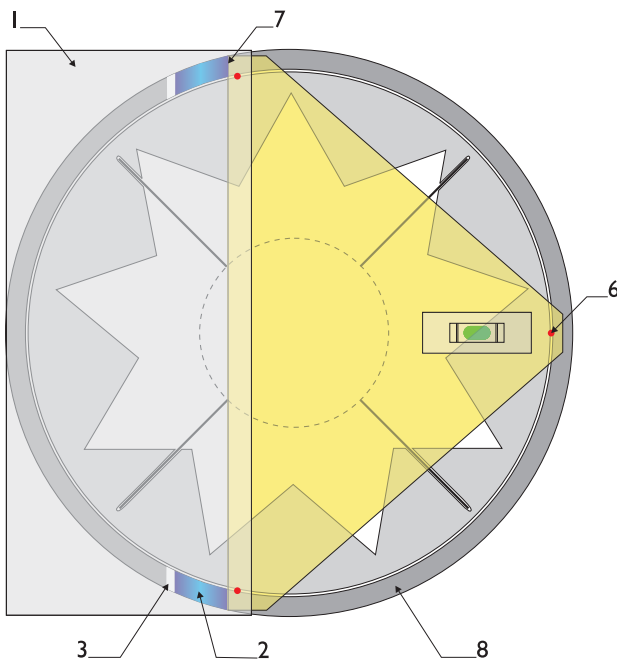
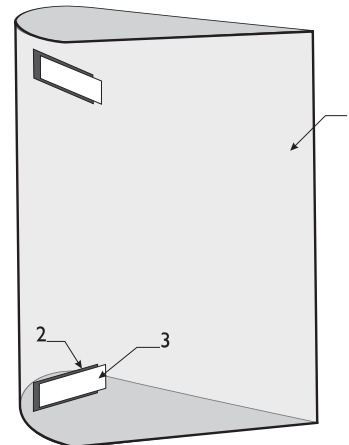
Put the template, the two holoprofiles and 4 adhesive tapes ready. If You use the enclosed "Glacé" gloves, You avoid finger prints on the holoprofiles. The two holoprofiles are identical, but have to be attached in mirror image, with the flat side to the outside at the speakers. (Left figure shows the left speaker).

### A. Fixing of the adhesive tapes

(With the first delivery already fixed)

1. Put the holoprofiles (1) with the mounting sockets (2) up in front of You on an underlay. Then put the adhesive tapes (3) on the mounting sockets as a trial so that the outlines agree.

2. Remove the protection cover on the lower side and fix the adhesive tapes (3) on the mounting sockets (2) that they hang over at least 2 mm to the flat side of the holoprofile.



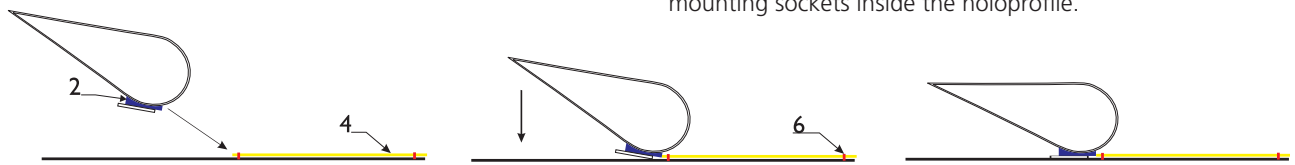
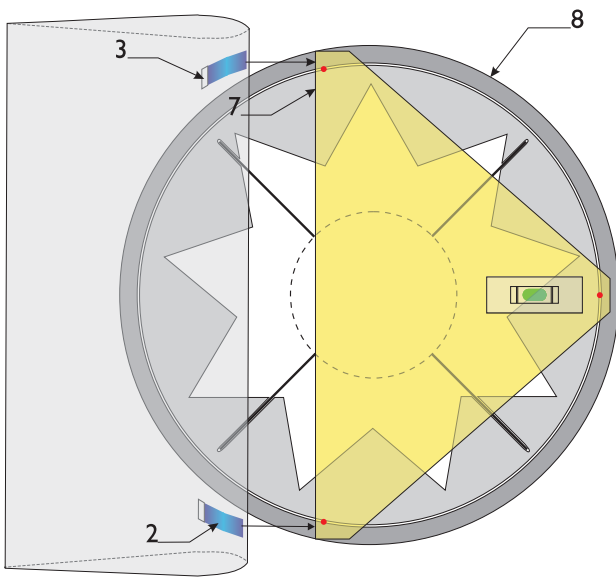
4. Turn now carefully the template so far on the transducer, that the spirit level (5) shows an exact vertical alignment along the stop line (7). It is possible that small marks arise at the surrounding of the star-shaped damper, these disappear after a while by the structure of the material.

### B. Aligning of the template

1. Take now the template into Your hand. The spirit level (5) serves as a handle.

2. The left figure shows the alignment for the left speaker. Please, turn the template (4) at the right speaker correspondingly, so that the the spirit level shows to the left.

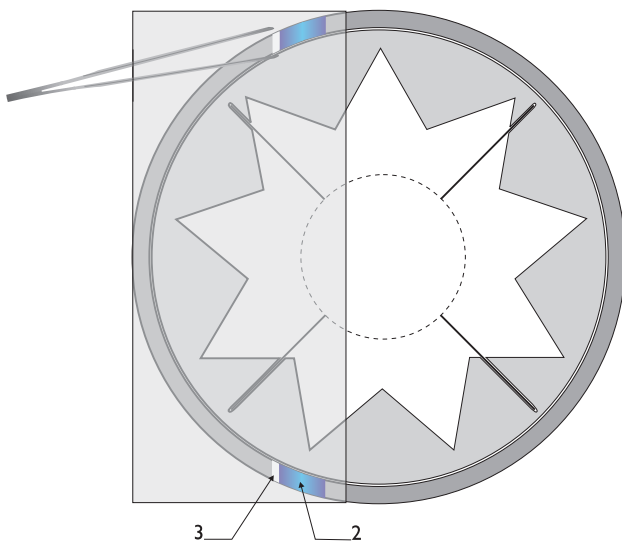
3. Put now the template on the transducer, the pin (6), which is next to the spirit level is plugged first in to the small gap (9) between the star-shaped damper and basket (8). The transducer will not be damaged since the diaphragm isn't fixed in this surrounding. Now, push carefully the template with the two other pins (6) at the top and the bottom of the template into the gap (9) between the star-shaped damper and the basket. An arched tension of the stop line is self-conscious.



4. Remove the template from the transducer, first with the pin (6), which is closed to the spirit level and after this lift the complete template carefully.

5. Do it with the right speaker just in the same way in mirror image to the left speaker, how it is described after B.2.

6. Don't be worried about little marks at the surrounding at the star-shaped damper. The material will go back by itself.

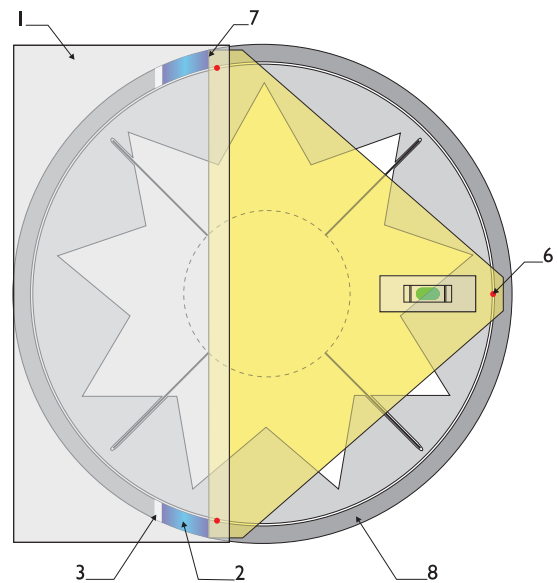


### C. Assembly of the holoprofiles

1. Remove the protection cover of the adhesive tapes (3) at the mounting sockets.

2. Take the holoprofile at the radius and move it in direction of the template (4), so that the edges of the mounting sockets (2) touch the stop line (7) of the template. Take care, that You hold the holoprofile at an angle, so that the adhesive tapes (3) still not touch the basket (8), take a look at the sequence of the figures below.

3. Fix the mounting sockets with a view through by the transparent holoprofile and move them vertically along the stop line (7), until both mounting sockets (2) fit with the basket (8). Now move the flat side of the holoprofile down (Figures below) and push with both thumbs tightly on the mounting sockets inside the holoprofile.



### D. Dismantling of the holoprofiles

We are sure that You will like the sound with the holoprofiles, but there will be circumstances (move, transducer removal etc.) nevertheless which require the dismantling.

Hold the Holoprofile with one hand. Take the enclosed tweezers and grip the jutting out adhesive tapes (3) from the flat side of the holoprofile and pull them out like a chewing gum. Grip with upright stuck tweezers as much as possible of the adhesive tape's material. That's it. Now You can start from the beginning. Have fun with the assembly and above all with the listening, Your **Manger team**